



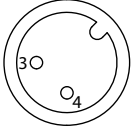
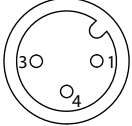
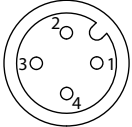
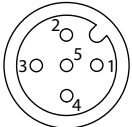
MDC (M12) Series Receptacles

2, 3, 4 & 5 Conductor MDC Series Receptacles, 18/22AWG



Panel Mount Male Receptacles | 300 Volt, 4 amps | IP67 Rating

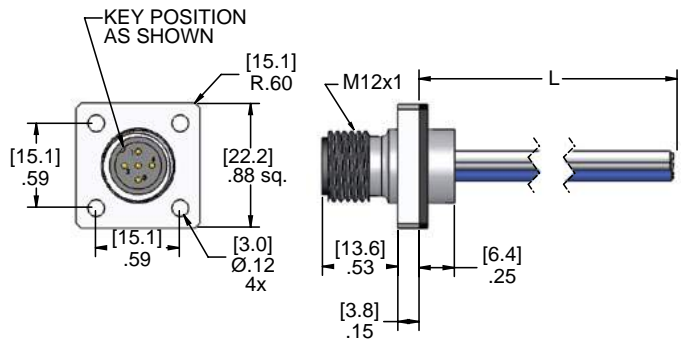


# of Poles	Male Faceview	Color Code	Rating	Wire AWG	Male Receptacles
2	 <p>M12 x 1</p>	3. Brown 4. Blue	300V 4A	18 AWG	MDC-2MR-PM-18
				22 AWG	MDC-2MR-PM
3	 <p>M12 x 1</p>	1. Brown 3. Blue 4. Black	300V 4A	18 AWG	MDC-3MR-PM-18
				22 AWG	MDC-3MR-PM
4	 <p>M12 x 1</p>	1. Brown 2. White 3. Blue 4. Black	300V 4A	18 AWG	MDC-4MR-PM-18
				22 AWG	MDC-4MR-PM
5	 <p>M12 x 1</p>	1. Brown 2. White 3. Blue 4. Black 5. Gray	300V 4A	18 AWG	MDC-5MR-PM-18
				22 AWG	MDC-5MR-PM

12" leads are standard. Longer lead lengths are available, please consult the factory for part numbers.

Specifications:

Shell: Nickel Plated Brass
 Insulator: Polyamide
 Wire: 18, 22 & 24 AWG: 300V
 UL Style 1007/1569
 Contacts: Copper Alloy with Gold Plating
 Gasket: NBR
 Temperature: -40°C to 105°C (-40°F to +221°F)



H
Micro-DC (M12) Series Receptacles